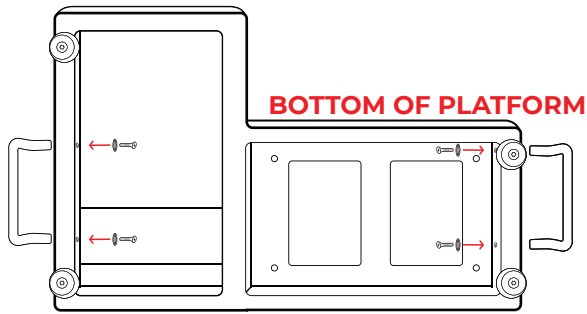
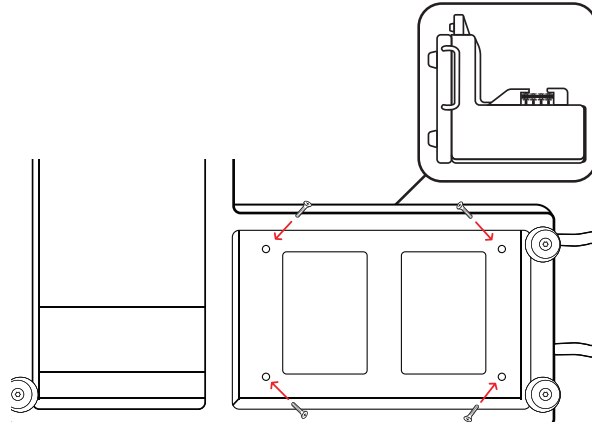


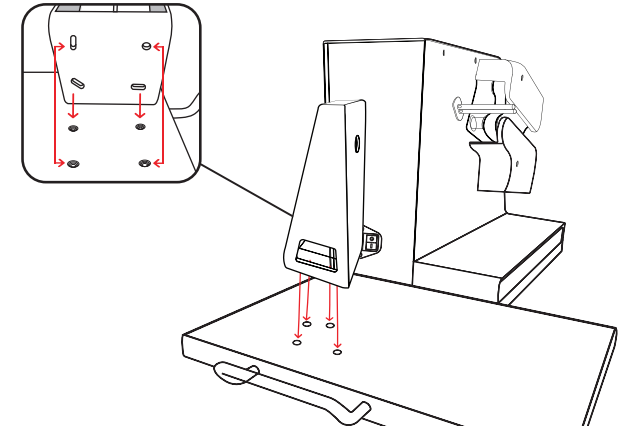
## ASFX2 FILM ROLLER ASSEMBLY



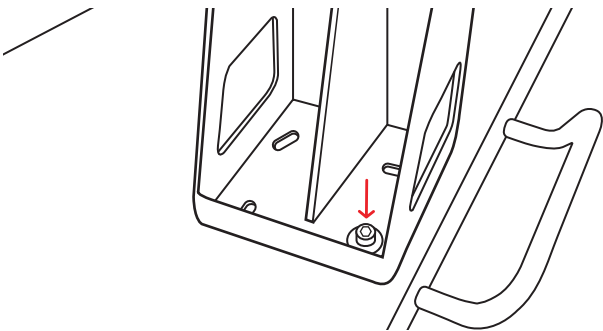
1. INSTALL THE HANDLES ON BOTH SIDES OF THE PLATFORM USING THE APPROPRIATE ALLEN WRENCH AND BOLTS WITH WASHERS.



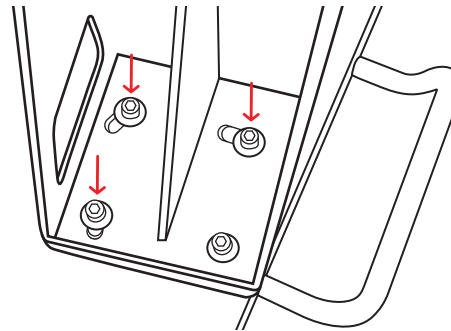
2. PLACE THE PLATFORM AND MACHINE ON ITS SIDE LINING UP THE HOLES ON THE MACHINE TO THE BOLT HOLES ON THE PLATFORM. SECURE THE MACHINE TO THE PLATFORM USING THE SCREWS WITH NO WASHERS.



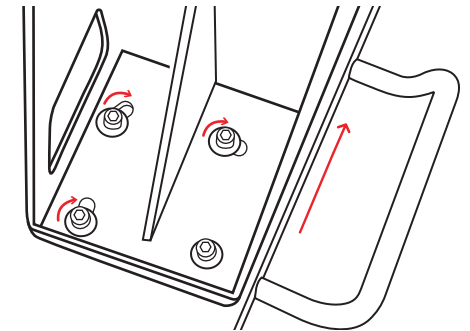
3. PLACE PLATFORM UPRIGHT. LINE UP FILM HOLDER WITH THE FOUR BOLT HOLES.



4. IN THE BOTTOM RIGHT CORNER, USE THE ALLEN WRENCH TO BOLT DOWN THE WASHER. **DO NOT TIGHTEN UNTIL STEP 6.**

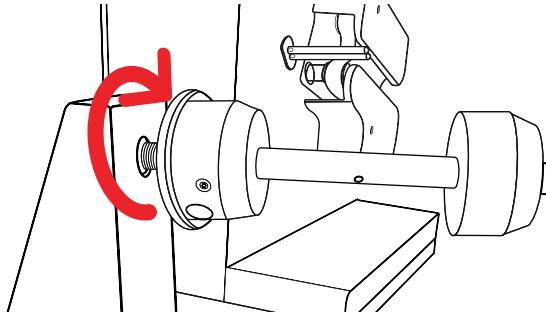


5. SCREW IN THE OTHER THREE BOLTS WITH THE WASHER USING THE ALLEN WRENCH. **DO NOT TIGHTEN UNTIL STEP 6.**

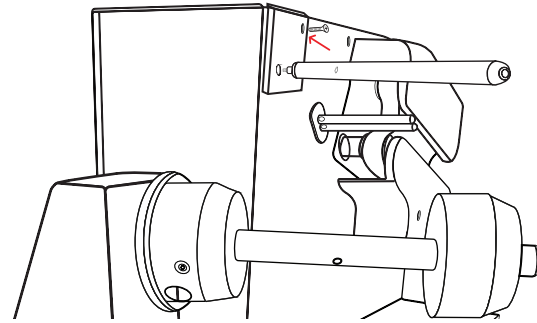


6. WITH ALL FOUR BOLTS IN PLACE, TWIST THE FILM HOLDER CLOCKWISE INTO PLACE. ONCE PROPERLY ALIGNED, TIGHTEN ALL FOUR BOLTS.

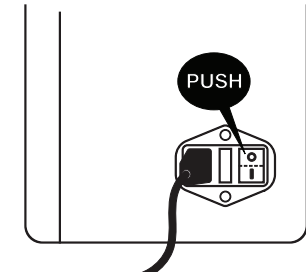
# ASFX2 FILM ROLLER ASSEMBLY



7. SCREW FILM ROLLER INTO FILM HOLDER AND HAND TIGHTEN.



8. TAKE THE FILM ALIGNMENT BRACKET AND ALIGN THE HOLE ON THE BRACKET TO THE HOLE INDICATED ABOVE. SECURE THE BRACKET WITH THE BLACK SCREW THAT IS PROVIDED IN THE **SPARE PARTS BOX**.



9. PLUG IN THE POWER CABLE AND TURN THE MACHINE ON USING THE POWER SWITCH LOCATED ON THE BACK.